



M-2300-T 6-Piston Mustang Brake Kit INSTALLATION INSTRUCTIONS

NO PART OF THIS DOCUMENT MAY BE REPRODUCED WITHOUT PRIOR AGREEMENT AND WRITTEN PERMISSION OF FORD RACING PERFORMANCE PARTS.

Please visit www.fordracingparts.com for the most current instruction information

**!!! PLEASE READ ALL OF THE FOLLOWING INSTRUCTIONS CAREFULLY PRIOR TO INSTALLATION.
AT ANY TIME YOU DO NOT UNDERSTAND THE INSTRUCTIONS, PLEASE CALL THE FORD RACING
TECHLINE AT 1-800-367-3788 !!!**

Component Number	Component Description	Qty
BRAKE KIT	6 Piston Brake Kit	1
DR3V-1125-CC	Front Rotor Assembly	2
DR3V-2078-FA	RH Brake Hose	1
DR3V-2B118-EB	RH Front Caliper 6 Piston	1
DR3V-2B119-EB	LH Front Caliper 6 Piston	1
DR3V-2B557-FA	LH Brake Hose	1
DR3V-2C026-BA	Rear Rotor	2
DR3V-2K004-CA	RH Disk Brake Shield	1
DR3V-2K005-CA	LH Disk Brake Shield	1
DR3V-2K327-AA	LH Rear Caliper	1
DR3V-2K328-AA	RH Rear Caliper	1
W500020-S439	Bolt, Backing Plate	4
W705821-S439	Caliper Bolt to Adaptor Brake Kit	1
W710233-S439	Caliper Mount Bolt M12X1.75X65	4
DR3Z-2C100-A	RH Rear Support Bracket	1
DR3Z-2C101-A	LH Rear Support Bracket	1

Material

Item	Specification
High Performance DOT 3 Motor Vehicle Brake Fluid PM-1-C (US); CPM-1-C (Canada)	WSS-M6C62-A or WSS-M6C65-A1

Factory Ford shop manuals are available from Helm Publications, 1-800-782-4356

NO PART OF THIS DOCUMENT MAY BE REPRODUCED WITHOUT PRIOR AGREEMENT AND WRITTEN PERMISSION OF FORD RACING PERFORMANCE PARTS.

⚠ WARNING: Do not use any fluid other than clean brake fluid meeting manufacturer's specification. Additionally, do not use brake fluid that has been previously drained. Following these instructions will help prevent system contamination, brake component damage and the risk of serious personal injury.

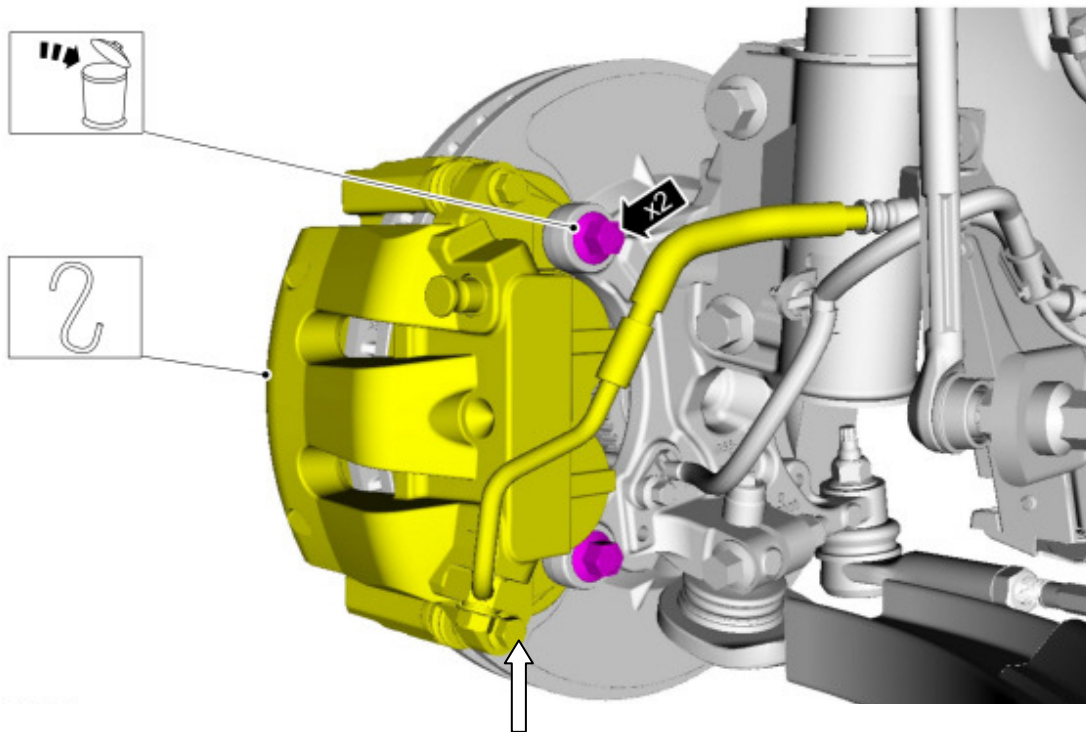
⚠ WARNING: Carefully read cautionary information on product label. For emergency medical information seek medical advice. In the USA or Canada on Ford/Motorcraft products call: 1-800-959-3673. For additional information, consult the product Material Safety Data Sheet (MSDS) if available. Failure to follow these instructions may result in serious personal injury.

NOTICE: Do not spill brake fluid on painted or plastic surfaces or damage to the surface may occur. If brake fluid is spilled onto a painted or plastic surface, immediately wash the surface with water.

Removal Front Brakes:

STEP 1: Remove the wheel and tire.

STEP 2: Remove the brake caliper flow bolt.



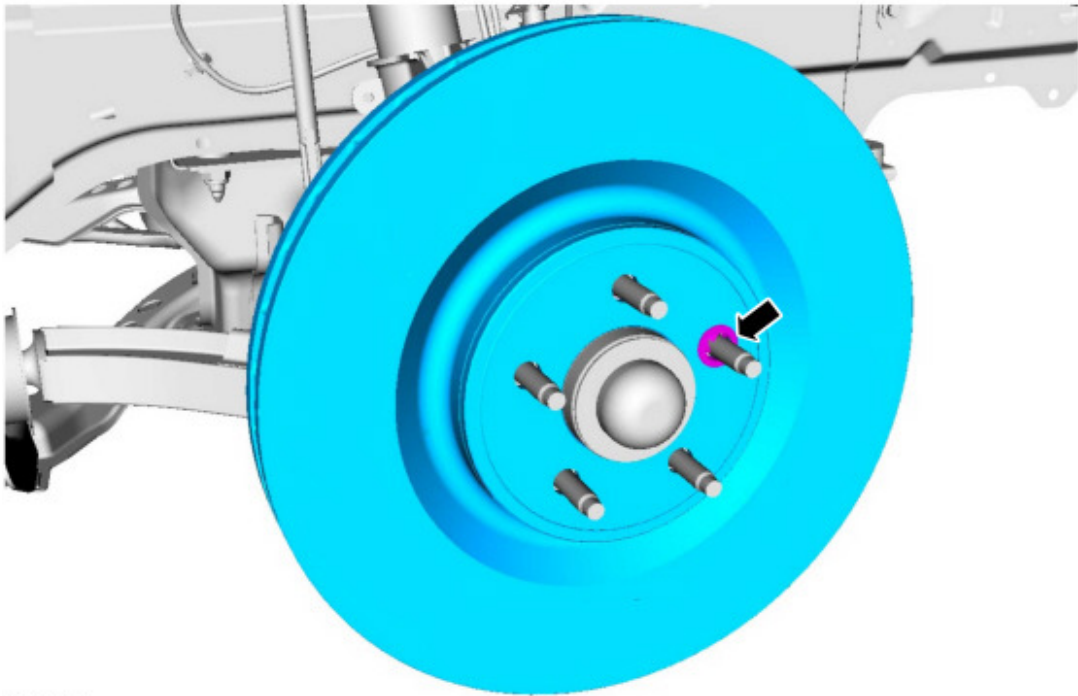
STEP 3: **NOTICE:** Do not use the caliper sight hole to retract pistons as this may damage the pistons and boots.

Remove and discard the 2 brake caliper anchor bolts and remove the brake caliper/anchor plate assembly.

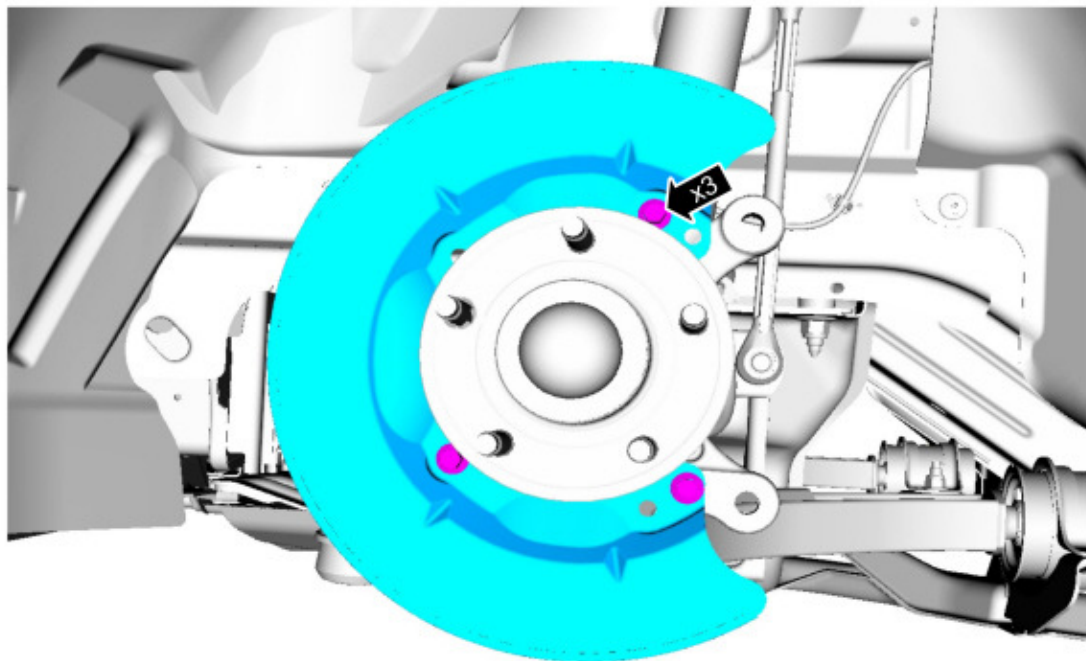
M-2300-T
6-Piston Mustang Brake Kit
INSTALLATION INSTRUCTIONS

NO PART OF THIS DOCUMENT MAY BE REPRODUCED WITHOUT PRIOR AGREEMENT AND WRITTEN PERMISSION OF FORD RACING PERFORMANCE PARTS.

STEP 4: Remove brake rotor.



STEP 5: Remove brake shield.



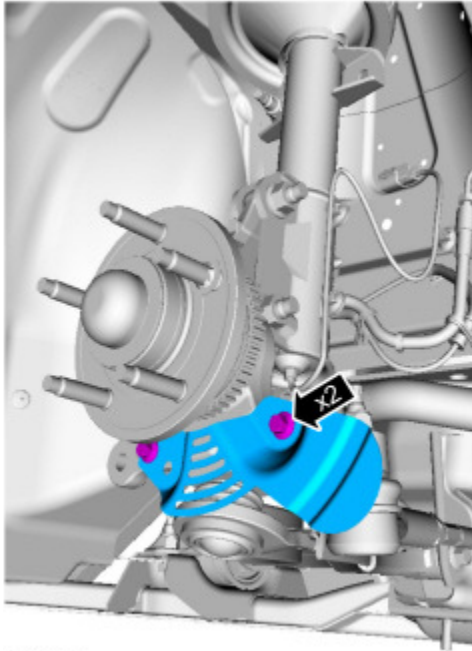
Factory Ford shop manuals are available from Helm Publications, 1-800-782-4356



M-2300-T 6-Piston Mustang Brake Kit INSTALLATION INSTRUCTIONS

NO PART OF THIS DOCUMENT MAY BE REPRODUCED WITHOUT PRIOR AGREEMENT AND WRITTEN PERMISSION OF FORD RACING PERFORMANCE PARTS.

STEP 6: Using new bolts, install new brake shields, tighten to 20 Nm (177 lb-in).



Factory Ford shop manuals are available from Helm Publications, 1-800-782-4356

NO PART OF THIS DOCUMENT MAY BE REPRODUCED WITHOUT PRIOR AGREEMENT AND WRITTEN PERMISSION OF FORD RACING PERFORMANCE PARTS.

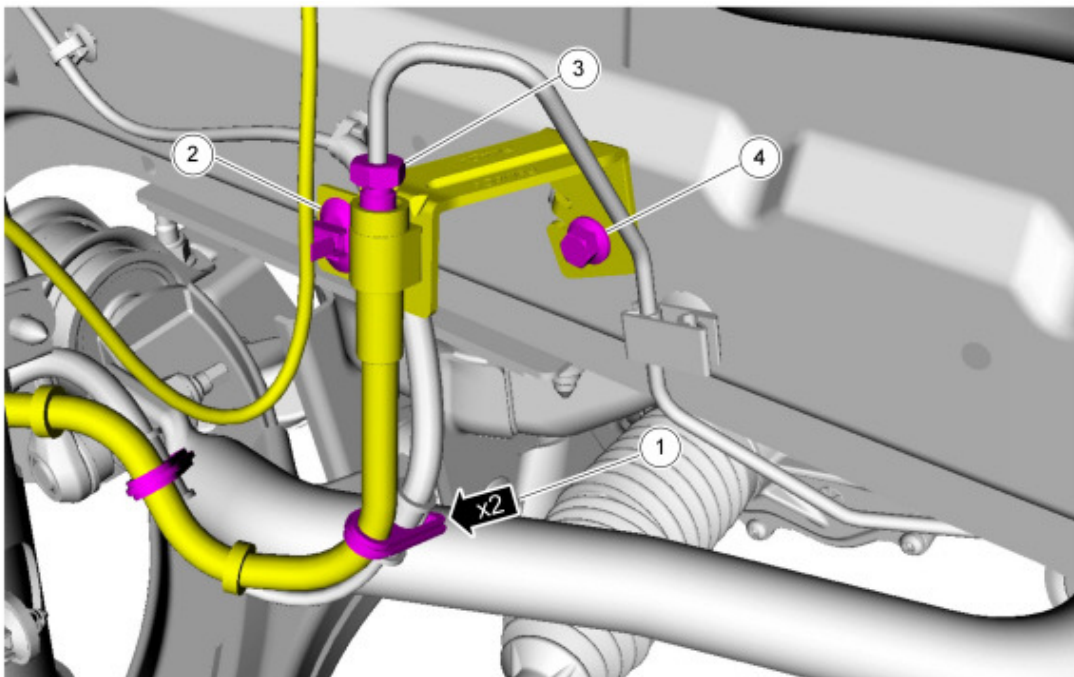
Removal and Installation Brake Flexible Hose:

NOTE: Removal steps in this procedure may contain installation details.

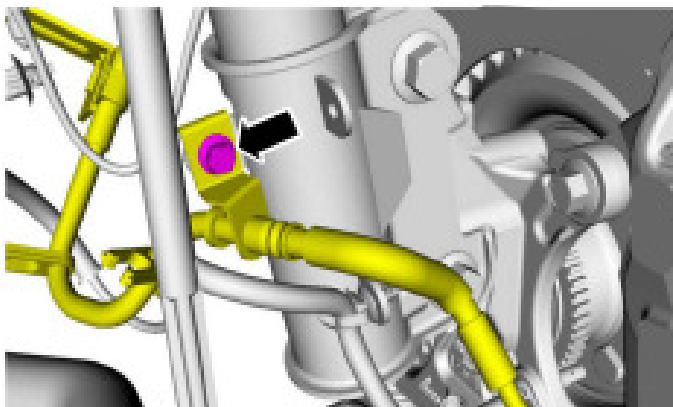
NOTE: Vehicles with 6 piston calipers shown, 2 and 4 piston calipers similar.

STEP 1: Remove brake line.

- To install, tighten the brake tube fitting to 17 Nm (150 lb-in).
- To install, tighten the brake flexible hose bracket bolt to 20 Nm (177 lb-in).



- To install brake line to strut, tighten to 20 Nm (177 lb-in).



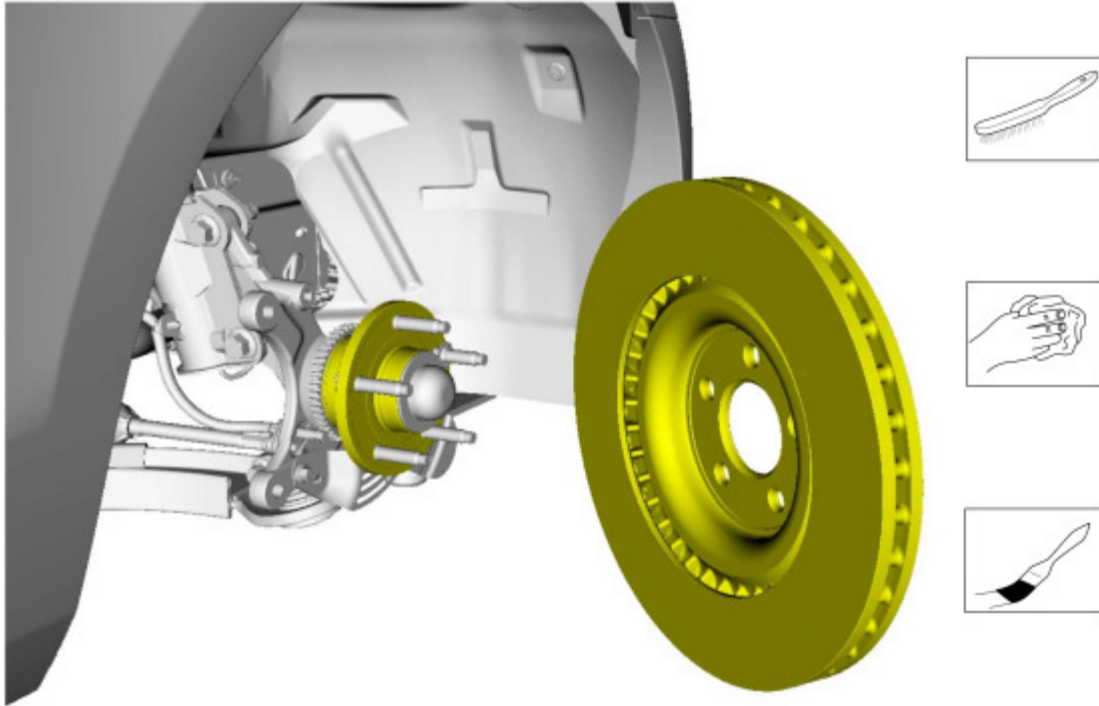
Factory Ford shop manuals are available from Helm Publications, 1-800-782-4356

NO PART OF THIS DOCUMENT MAY BE REPRODUCED WITHOUT PRIOR AGREEMENT AND WRITTEN PERMISSION OF FORD RACING PERFORMANCE PARTS.

Brake Rotor Installation:

STEP 1: **NOTICE:** Do not use an abrasive sanding disc since it will remove paint or other protective finishes from the wheel or metal from the mounting surfaces, adversely affecting corrosion protection and brake disc lateral runoff.

Wire brush as necessary.



STEP 2: Clean hub with brake cleaner and apply high temperature nickel anti-seize.

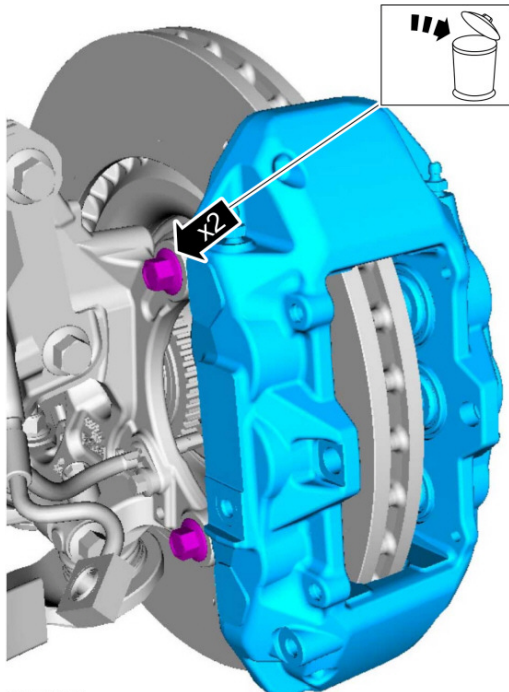
STEP 3: Install brake rotor.

M-2300-T 6-Piston Mustang Brake Kit INSTALLATION INSTRUCTIONS

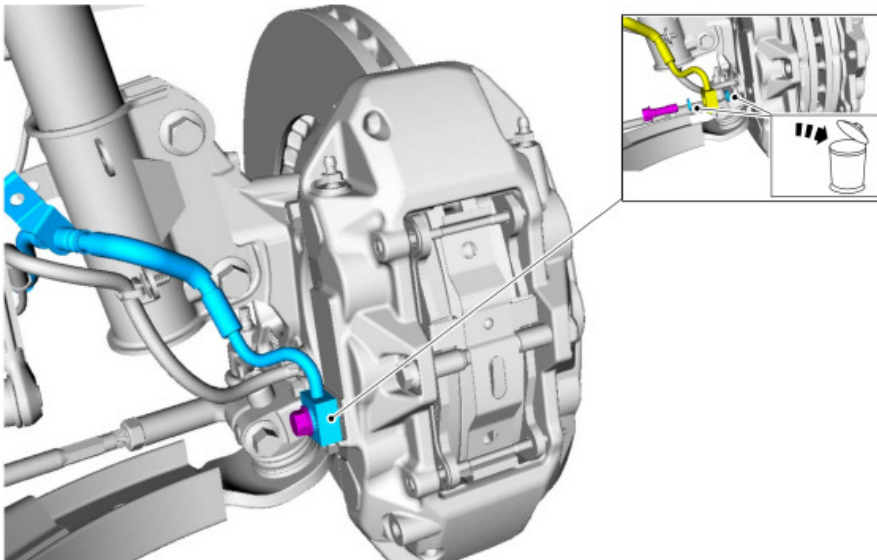
NO PART OF THIS DOCUMENT MAY BE REPRODUCED WITHOUT PRIOR AGREEMENT AND WRITTEN PERMISSION OF FORD RACING PERFORMANCE PARTS.

Caliper Installation:

STEP 1: Using new bolts, install caliper/anchor plate assembly. To install, tighten anchor plate bolts to 115 Nm (85 lb-ft).



STEP 2: Install brake line flow bolt and 2 washers (one washer under the head of the bolt and one against the brake caliper). To install, tighten to 55 Nm (41 lb-ft).



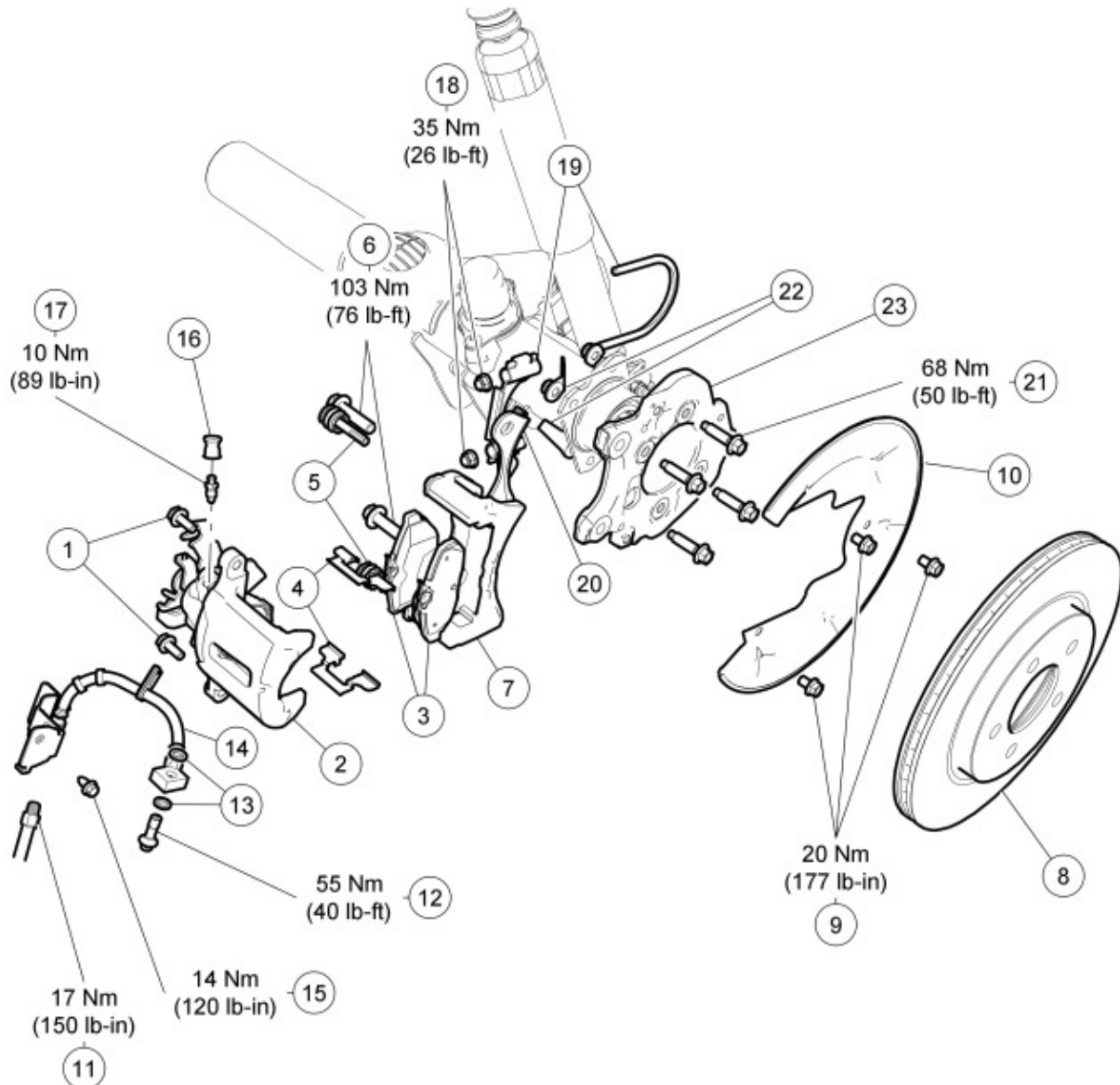
Factory Ford shop manuals are available from Helm Publications, 1-800-782-4356

M-2300-T 6-Piston Mustang Brake Kit INSTALLATION INSTRUCTIONS

NO PART OF THIS DOCUMENT MAY BE REPRODUCED WITHOUT PRIOR AGREEMENT AND WRITTEN PERMISSION OF FORD RACING PERFORMANCE PARTS.

Disc Brake System Rear — Exploded View

NOTE: 5.0L shown, 5.8L similar.



Factory Ford shop manuals are available from Helm Publications, 1-800-782-4356



M-2300-T 6-Piston Mustang Brake Kit INSTALLATION INSTRUCTIONS

NO PART OF THIS DOCUMENT MAY BE REPRODUCED WITHOUT PRIOR AGREEMENT AND WRITTEN PERMISSION OF FORD RACING PERFORMANCE PARTS.

Item	Description
1	Brake caliper guide pin bolts
2	Brake caliper
3	Brake pads
4	Spring clips
5	Guide pin and boot
6	Brake caliper anchor plate bolt kits
7	Brake caliper anchor plate
8	Brake disc
9	Brake disc shield bolts
10	Brake disc shield
11	Brake tube fitting
12	Brake caliper flow bolt
13	Copper washers
14	Brake flexible hose
15	Brake flexible hose bracket bolt
16	Bleeder screw cap
17	Bleeder screw
18	Anti-moan bracket U-bolt nuts (if equipped)
19	Anti-moan bracket U-bolt and clamp (if equipped)
20	Anti-moan bracket (if equipped)
21	Brake caliper support bracket bolt
22	Brake caliper support bracket flag nuts
23	Brake caliper support bracket

Remove Rear Brake Caliper:

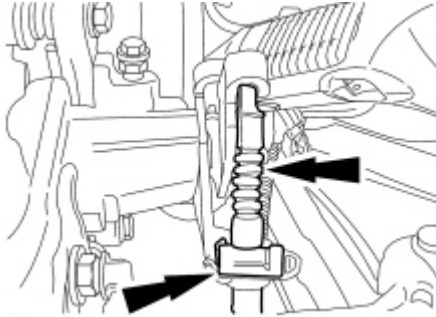
STEP 1: Remove the wheel and tire.

STEP 2: Remove the retaining clip and the parking brake cable and conduit from the brake caliper.

Factory Ford shop manuals are available from Helm Publications, 1-800-782-4356

M-2300-T 6-Piston Mustang Brake Kit INSTALLATION INSTRUCTIONS

NO PART OF THIS DOCUMENT MAY BE REPRODUCED WITHOUT PRIOR AGREEMENT AND WRITTEN PERMISSION OF FORD RACING PERFORMANCE PARTS.

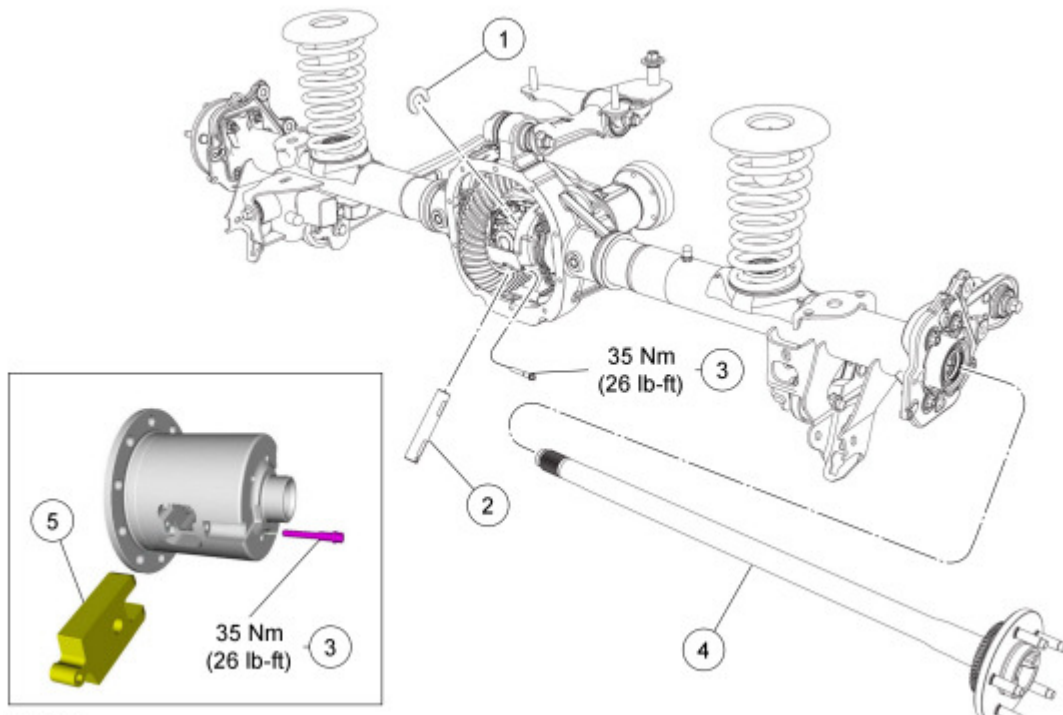


- STEP 3:** Remove the brake caliper flow bolt and discard the 2 copper washers.
- STEP 4:** Remove the 2 brake caliper guide pin bolts and the brake caliper.
- STEP 5:** Remove caliper anchor plate.
- STEP 6:** Remove brake rotor.

Remove Caliper Support Bracket:

- STEP 1** Remove axle shaft.

Traction-Lok® differential shown Torsen® differential similar



Factory Ford shop manuals are available from Helm Publications, 1-800-782-4356

M-2300-T 6-Piston Mustang Brake Kit INSTALLATION INSTRUCTIONS

NO PART OF THIS DOCUMENT MAY BE REPRODUCED WITHOUT PRIOR AGREEMENT AND WRITTEN PERMISSION OF FORD RACING PERFORMANCE PARTS.

Item	Description
1	Axle shaft U-washer
2	Differential pinion shaft (Traction-Lok®)
3	Differential pinion shaft lock bolt
4	Axle shaft
5	Differential thrust plate (Torsen®)

All Differentials:

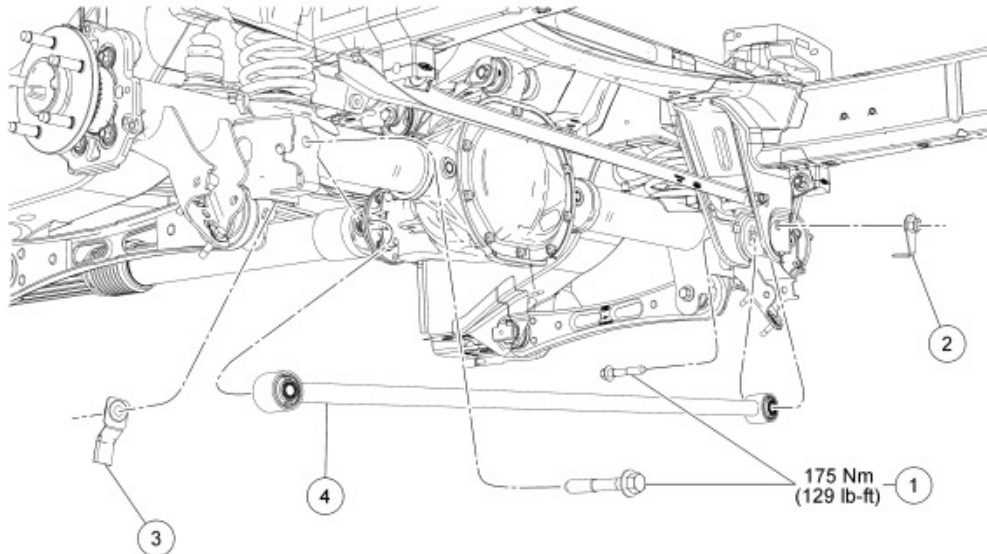
STEP 1: Remove the differential housing cover.

Cover Removal:

NOTE: Aluminum cover shown, steel cover similar.

STEP 1: If equipped with aluminum cover, remove the panhard rod.

Panhard Rod Removal:



Item	Description
1	Panhard rod bolts (2 required)
2	Panhard rod flag nut (RH)
3	Panhard rod flag nut (LH)
4	Panhard rod

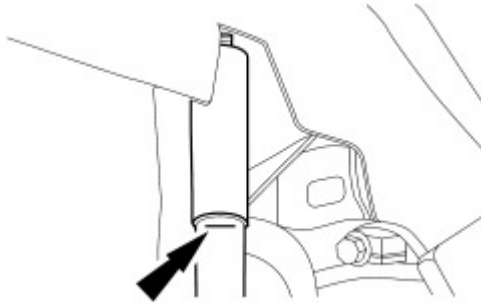
Factory Ford shop manuals are available from Helm Publications, 1-800-782-4356

M-2300-T 6-Piston Mustang Brake Kit INSTALLATION INSTRUCTIONS

NO PART OF THIS DOCUMENT MAY BE REPRODUCED WITHOUT PRIOR AGREEMENT AND WRITTEN PERMISSION OF FORD RACING PERFORMANCE PARTS.

NOTICE: Suspension fasteners are critical parts because they affect performance of vital components and systems and their failure may result in major service expense. New parts must be installed with the same part numbers or equivalent part, if replacement is necessary. Do not use a replacement part of lesser quality or substitute design. Torque values must be used as specified during reassembly to make sure of correct retention of these parts.

STEP 1: To aid in installation, mark the rear shock absorber relative to the protective sleeve with the vehicle in a static, level ground position (curb height).

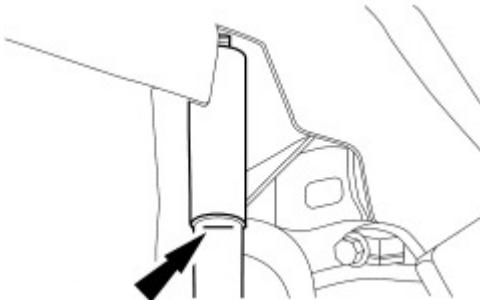


STEP 2: With the vehicle in NEUTRAL, position it on a hoist.

STEP 3: **NOTICE:** Do not support the rear axle at the differential housing or damage to the housing may occur.

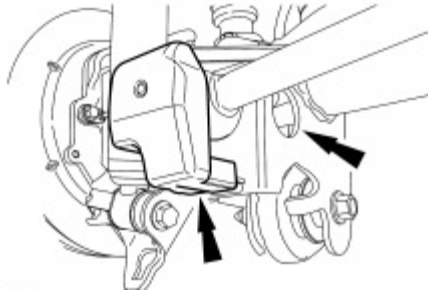
Using 2 suitable jack stands, support the rear axle.

STEP 4: Raise the rear axle so the mark made on the rear shock absorber in STEP 1 lines up with the protective sleeve.



STEP 5: Using 2 screwdrivers inserted through the access hole, depress the tabs of the panhard rod bolt cover retaining clip and remove the cover.

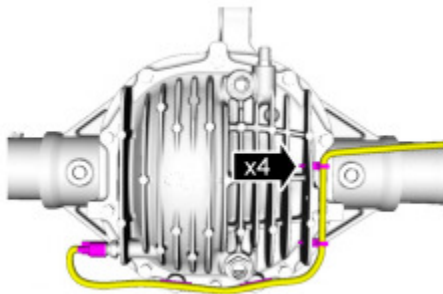
NO PART OF THIS DOCUMENT MAY BE REPRODUCED WITHOUT PRIOR AGREEMENT AND WRITTEN PERMISSION OF FORD RACING PERFORMANCE PARTS.



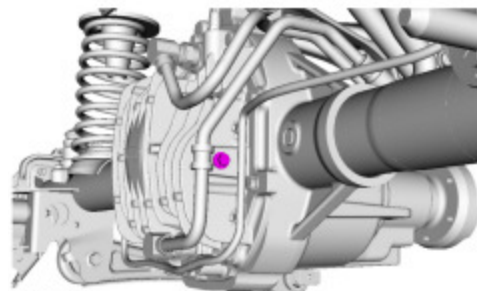
STEP 6: Remove and discard the panhard rod bolts and flag nuts.

Cover Removal Continued:

STEP 2: If equipped.

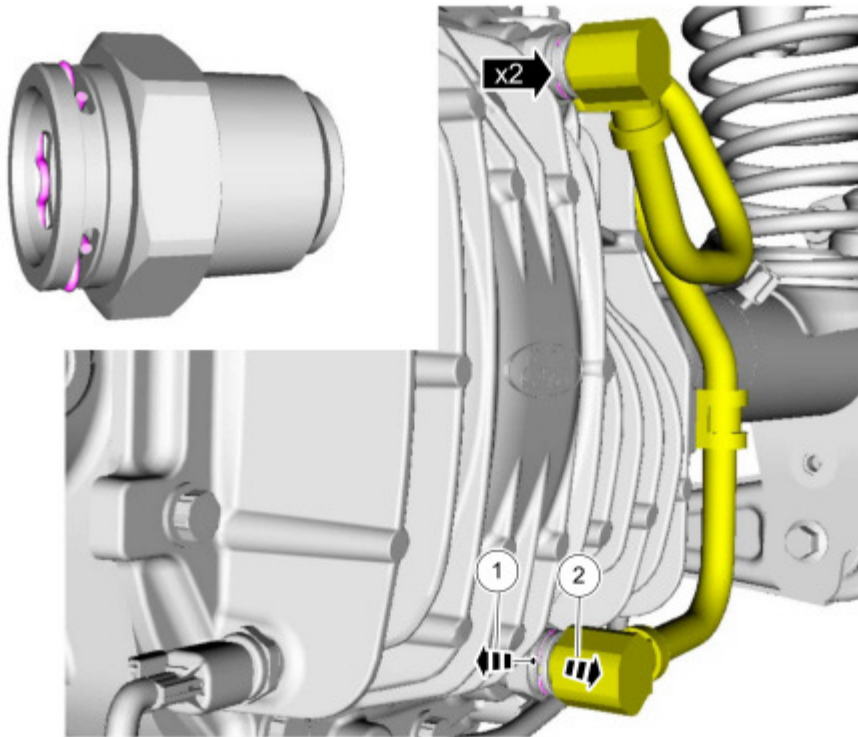


STEP 3: If equipped.
• To install, tighten the bolt to 10 Nm (89 lb-in).



NO PART OF THIS DOCUMENT MAY BE REPRODUCED WITHOUT PRIOR AGREEMENT AND WRITTEN PERMISSION OF FORD RACING PERFORMANCE PARTS.

STEP 4: If equipped.

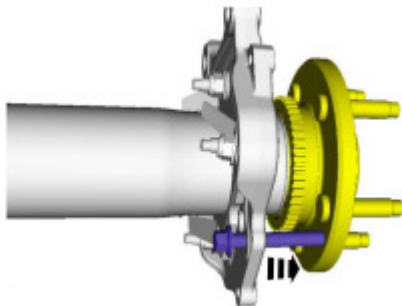


Traction-Lok® Differentials Axle Shaft Removal:

STEP 1: **NOTE:** Bolt must be against axle shaft flange. Do not allow the bolt to press against the head of the wheel studs.

If no S-spring is present, use a M8-1.25 X 75mm class PC 8.8 HF bolt threaded into the wheel speed sensor bolt threads and push the axle outward.

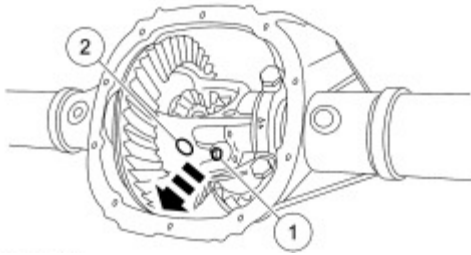
- Tighten bolt to a maximum of 12 Nm (106 lb-in).



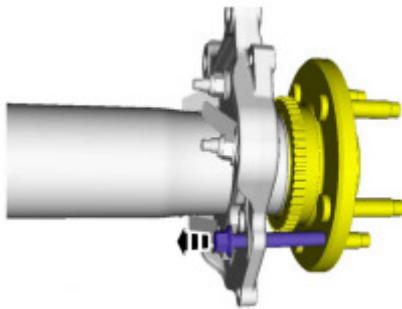
M-2300-T 6-Piston Mustang Brake Kit INSTALLATION INSTRUCTIONS

NO PART OF THIS DOCUMENT MAY BE REPRODUCED WITHOUT PRIOR AGREEMENT AND WRITTEN PERMISSION OF FORD RACING PERFORMANCE PARTS.

- STEP 2:** Remove the differential pinion shaft.
- Remove and discard the differential pinion shaft lock bolt.
 - Remove the differential pinion shaft.

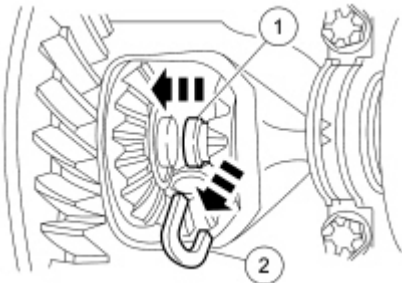


- STEP 3:** If equipped, remove the previously installed M8-1.25 X 75mm bolt.



NOTICE: Do not damage the rubber O-ring in the axle shaft grooves.

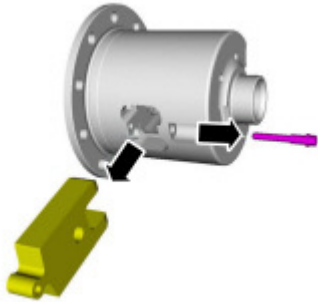
- STEP 4:** Remove the axle shaft U-washer.
- Push in on the axle shaft.
 - Remove the U-washer.



NO PART OF THIS DOCUMENT MAY BE REPRODUCED WITHOUT PRIOR AGREEMENT AND WRITTEN PERMISSION OF FORD RACING PERFORMANCE PARTS.

Torsen® Differential Axle Shaft Removal:

- STEP 1:** Remove the differential thrust plate.
- Remove the differential thrust plate lock bolt.
 - Remove the differential thrust plate.



- STEP 2:** **NOTICE: Do not remove axles at this time or damage may occur.**
- NOTICE: Do not damage the rubber O-ring in the axle shaft grooves.**
- Remove the axle shaft U-washer.
- Gently push in on the axle shaft.
 - Remove the U-washer.

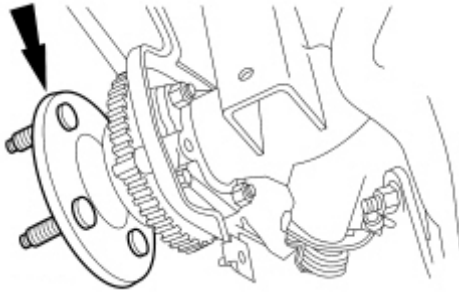
- STEP 3:** **NOTICE: Do not remove axles from differential at this time or damage may occur.**
- Install the differential thrust plate.
- Gently remove the axles just enough to install the differential thrust plate.
 - Install the differential thrust plate.
 - Install the differential thrust plate lock bolt.

NO PART OF THIS DOCUMENT MAY BE REPRODUCED WITHOUT PRIOR AGREEMENT AND WRITTEN PERMISSION OF FORD RACING PERFORMANCE PARTS.

All Differentials

STEP 1: **NOTICE:** Do not damage the axle shaft oil seal.

Remove the axle shaft.



Brake Caliper Support Bracket

Removal and Installation:

STEP 1: Remove the 3 bolts and the brake disc shield.

- To install, tighten to 20 Nm (177 lb-in).

STEP 2: **NOTE:** Make sure the anti-moan bracket holes, the brake caliper support bracket and the brake caliper anchor plate holes line up during installation.

If equipped, remove the anti-moan bracket.

- To install, tighten to 35 Nm (26 lb-ft).

STEP 3: Remove the 4 brake caliper support bracket nuts, bolts and the bracket.

- To install, tighten to 68 Nm (50 lb-ft).

STEP 4: To install new bracket, reverse the removal procedure.

NO PART OF THIS DOCUMENT MAY BE REPRODUCED WITHOUT PRIOR AGREEMENT AND WRITTEN PERMISSION OF FORD RACING PERFORMANCE PARTS.

Axle Shaft Installation:

All Differentials:

STEP 1: Lubricate the lip of the axle shaft oil seal with grease.

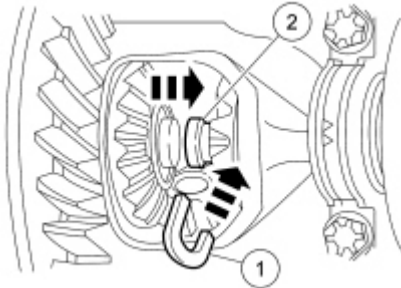
STEP 2: **NOTICE:** Do not damage the axle shaft oil seal when installing the axle shaft.
Install the axle shaft.



Traction-Lok® Differentials:

STEP 3: **NOTICE:** Do not damage the rubber O-ring in the U-washer groove.
Install the axle shaft U-washer.

- a. Position the U-washer on the button end of the axle shaft.
- b. Pull the axle shaft outward.

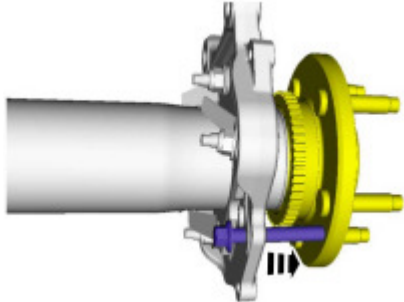


STEP 4: **NOTE:** Bolt must be against axle shaft flange. Do not allow the bolt to press against the head of the wheel studs.

If no S-spring is present, use a M8-1.25 X 75mm class PC 8.8 HF bolt threaded into the wheel speed sensor bolt threads and push the axle outward.

- Tighten bolt to a maximum of 12 Nm (106 lb-in).

NO PART OF THIS DOCUMENT MAY BE REPRODUCED WITHOUT PRIOR AGREEMENT AND WRITTEN PERMISSION OF FORD RACING PERFORMANCE PARTS.

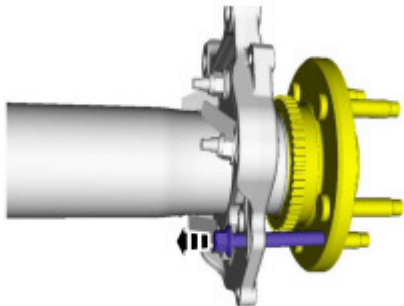


STEP 5: Install the differential pinion shaft.

- Align the hole in the differential pinion shaft with the differential case lock bolt hole.
- Install a new differential pinion shaft lock bolt.
- Tighten to 35 Nm (26 lb-ft).



STEP 6: If no S-spring is present, remove the previously installed M8-1.25 X 75mm bolt.



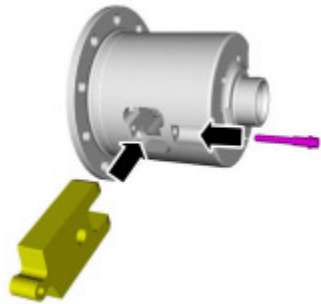
NO PART OF THIS DOCUMENT MAY BE REPRODUCED WITHOUT PRIOR AGREEMENT AND WRITTEN PERMISSION OF FORD RACING PERFORMANCE PARTS.

Torsen® Differential:

STEP 7: **NOTICE: Use caution when moving the axles or damage may occur.**

Remove the differential thrust plate.

- a. Remove and discard the differential thrust plate lock bolt.
- b. Remove the differential thrust plate.



STEP 8: **NOTICE: Use caution when moving the axles or damage may occur.**

NOTICE: Do not damage the rubber O-ring in the axle shaft grooves.

Install the axle shaft U-washer.

- a. Gently push in on the axle shaft.
- b. Install the U-washer.
- c. Gently pull the axle shaft outward.

STEP 9: **NOTICE: Do not remove axles from differential at this time or damage may occur.**

Install the differential thrust plate.

- a. Install the differential thrust plate.
- b. Install the new differential thrust plate lock bolt.
 - Tighten to 35 Nm (26 lb-ft).

All Differentials:

STEP 10: Position the rear wheel speed sensor and install the bolt.

- Tighten to 15 Nm (133 lb-in).

STEP 11: Install the rear brake disc.

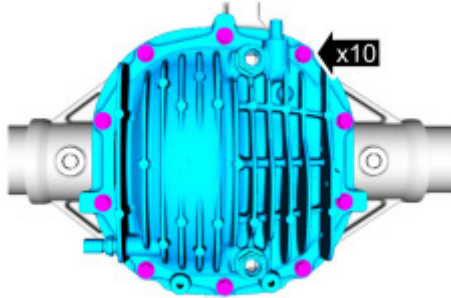
STEP 12: Install the differential housing cover.

M-2300-T 6-Piston Mustang Brake Kit INSTALLATION INSTRUCTIONS

NO PART OF THIS DOCUMENT MAY BE REPRODUCED WITHOUT PRIOR AGREEMENT AND WRITTEN PERMISSION OF FORD RACING PERFORMANCE PARTS.

STEP 13: **NOTE:** *The differential housing cover must be installed within 15 minutes of application of the silicone sealant, or new sealant must be applied. If possible, allow one hour before filling the axle housing with axle lubricant to make sure the silicone sealant has cured.*

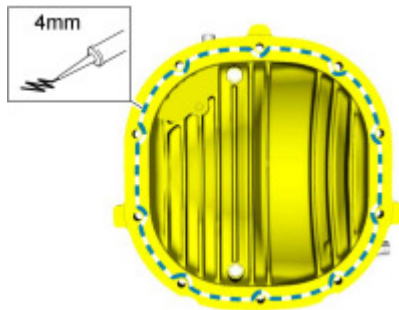
- To install, tighten steel cover bolts to 46 Nm (34 lb-ft).
- To install, tighten aluminum cover bolts to 32 Nm (24 lb-ft).



Installation:

STEP 1: **NOTICE:** Make sure the machined surfaces on both the axle housing and the differential housing cover are clean and free of oil before installing the new silicone sealant. The inside of the axle housing must be covered when cleaning the machined surface to prevent contamination.

Apply a continuous bead of the specified diameter from the specified cartridge.



STEP 2: To install, reverse the removal procedure.

STEP 3: **NOTE:** *Service refill capacities are determined by filling the axle to a level of 5mm below the bottom of the fill hole with the axle at ride height.*

Remove the axle plug and fill the axle with 1.89-2.01L (4-4.25 pt) of axle lubricant and a additional 4.0 oz of friction modifier additive, vehicles with a differential cooler then use a scan tool to operate the oil cooler pump and add a additional 1.10L (2 pt) of axle lubricant and a additional 2 oz of friction modifier and install the filler plug.

- Tighten the plug to 30 Nm (22 lb-ft).

Factory Ford shop manuals are available from Helm Publications, 1-800-782-4356



M-2300-T 6-Piston Mustang Brake Kit INSTALLATION INSTRUCTIONS

NO PART OF THIS DOCUMENT MAY BE REPRODUCED WITHOUT PRIOR AGREEMENT AND WRITTEN PERMISSION OF FORD RACING PERFORMANCE PARTS.

Install Panhard Bar:

- To install, tighten the new bolts to 175 Nm (129 lb-ft).

NOTICE: Tighten the LH and RH panhard rod bolts with the suspension at curb height or damage may occur.

To install, reverse the removal procedure.

Installation Rear Brake Rotors:

STEP 1: Clean any rust or foreign material from the brake disc and the wheel hub.

- Use the specified brake parts cleaner to clean the brake disc and hub surfaces.

STEP 2: **NOTICE: Do not allow the lubricant to make contact with the wheel studs, brake pads or brake disc or damage to components may occur.**


Apply a thin coat of the specified anti-seize lubricant to the hub flange.


STEP 3: Position the brake disc onto the wheel hub.


STEP 4: Position the brake caliper anchor plate and install 2 new anchor plate bolts.

- Tighten to 103 Nm (76 lb-ft).

Installation and Bleeding Rear Brake Calipers:

 **WARNING: Do not use any fluid other than clean brake fluid meeting manufacturer's specification. Additionally, do not use brake fluid that has been previously drained. Following these instructions will help prevent system contamination, brake component damage and the risk of serious personal injury.**

 **WARNING: Carefully read cautionary information on product label. For emergency medical information seek medical advice. In the USA or Canada on Ford/Motorcraft products call: 1-800-959-3673. For additional information, consult the product Material Safety Data Sheet (MSDS) if available. Failure to follow these instructions may result in serious personal injury.**

 **WARNING: Do not allow the brake master cylinder to run dry during the bleeding operation. Master cylinder may be damaged if operated without fluid, resulting in degraded braking performance. Failure to follow this instruction may result in serious personal injury.**

NOTICE: Do not spill brake fluid on painted or plastic surfaces or damage to the surface may occur. If brake fluid is spilled onto a painted or plastic surface, immediately wash the surface with water.

NOTE: When any part of the hydraulic system is disconnected for repair or installation of new components, air can get into the system and cause spongy brake pedal action. This requires bleeding of the hydraulic system after it is correctly connected. The hydraulic system can be bled manually or with pressure bleeding equipment.

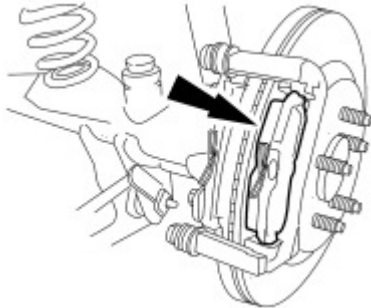
Factory Ford shop manuals are available from Helm Publications, 1-800-782-4356

M-2300-T 6-Piston Mustang Brake Kit INSTALLATION INSTRUCTIONS

NO PART OF THIS DOCUMENT MAY BE REPRODUCED WITHOUT PRIOR AGREEMENT AND WRITTEN PERMISSION OF FORD RACING PERFORMANCE PARTS.

NOTE: Due to the complexity of the fluid path within the rear integral parking brake calipers, it is necessary to follow this procedure when new calipers are installed. This procedure is necessary only when installing a new rear brake caliper.

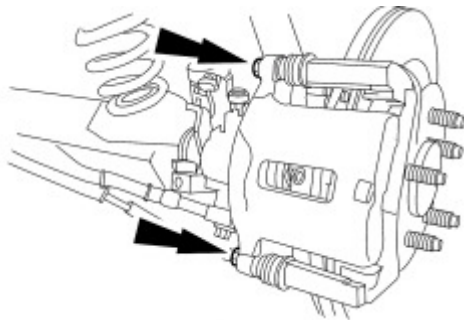
STEP 1: Remove the outer brake pad.



STEP 2: **NOTE:** Place a shop towel between the caliper and the brake disc.

Install the brake caliper using the 2 brake caliper bolts.

- Tighten to specifications. Refer to Specifications in this section.



STEP 3: Using 2 new copper washers, position the front brake hose on the brake caliper and install the flow bolt.

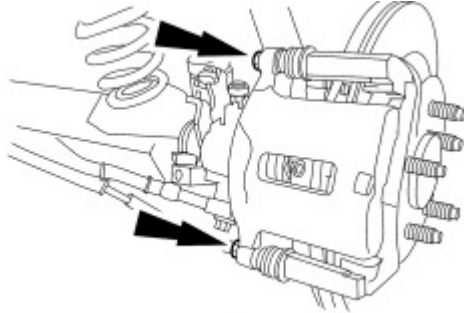
- Tighten to 55 Nm (40 lb-ft).
- Connect the parking brake cable and conduit to the brake caliper.
- Install the retaining clip.

STEP 4: Slowly apply the brake pedal to extend the brake caliper piston outward.

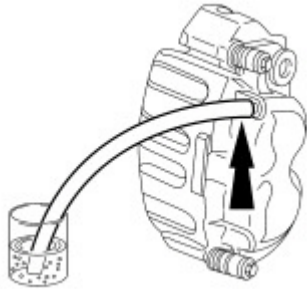
STEP 5: Remove the 2 brake caliper bolts and position the brake caliper aside.

Factory Ford shop manuals are available from Helm Publications, 1-800-782-4356

NO PART OF THIS DOCUMENT MAY BE REPRODUCED WITHOUT PRIOR AGREEMENT AND WRITTEN PERMISSION OF FORD RACING PERFORMANCE PARTS.

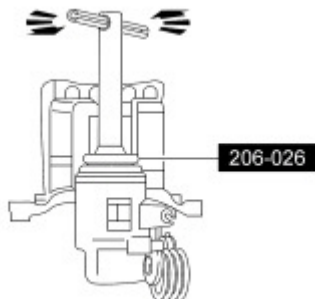


- STEP 6:** Remove the brake caliper bleeder screw cap and place a box-end wrench on the bleeder screw. Attach a rubber drain hose to the bleeder screw and submerge the free end of the hose in a container partially filled with clean, specified brake fluid.



- STEP 7:** Loosen the brake caliper bleeder screw.

- STEP 8:** Using the Rear Brake Caliper Piston Adjuster Adapter, fully retract the brake caliper piston and tighten the bleeder screw to specifications. Refer to Specifications in this section.

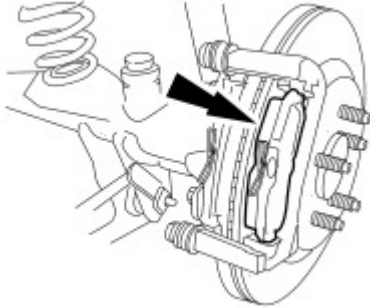


- STEP 9:** Repeat STEPS 4 through 9 until clear, bubble free fluid comes out.
- Refill the brake master cylinder reservoir as necessary.
 - Install the bleeder screw cap.

- STEP 10:** Remove the 2 brake caliper bolts and the shop towel.

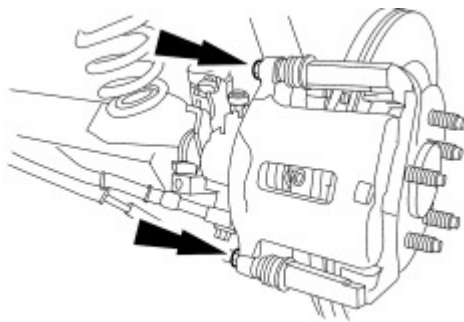
NO PART OF THIS DOCUMENT MAY BE REPRODUCED WITHOUT PRIOR AGREEMENT AND WRITTEN PERMISSION OF FORD RACING PERFORMANCE PARTS.

STEP 11: Install the outer brake pad.



STEP 12: Position the brake caliper and install the 2 brake caliper bolts.

- Tighten RH caliper guide pin bolts in the following sequence:
 1. Tighten the top bolt to 33 Nm (24 lb-ft).
 2. Tighten the bottom bolt to 33 Nm (24 lb-ft).
- Tighten LH caliper guide pin bolts in the following sequence:
 1. Tighten the bottom bolt to 33 Nm (24 lb-ft).
 2. Tighten the top bolt to 33 Nm (24 lb-ft).



NO PART OF THIS DOCUMENT MAY BE REPRODUCED WITHOUT PRIOR AGREEMENT AND WRITTEN PERMISSION OF FORD RACING PERFORMANCE PARTS.

Front Brake Caliper Bleeding:

⚠ WARNING: Do not use any fluid other than clean brake fluid meeting manufacturer's specification. Additionally, do not use brake fluid that has been previously drained. Following these instructions will help prevent system contamination, brake component damage and the risk of serious personal injury.

⚠ WARNING: Carefully read cautionary information on product label. For emergency medical information seek medical advice. In the USA or Canada on Ford/Motorcraft products call: 1-800-959-3673. For additional information, consult the product Material Safety Data Sheet (MSDS) if available. Failure to follow these instructions may result in serious personal injury.

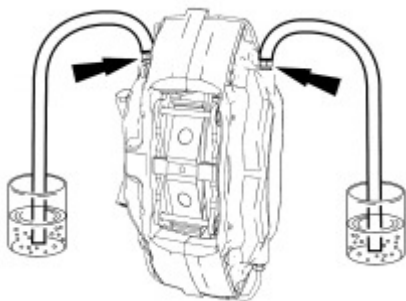
⚠ WARNING: Do not allow the brake master cylinder to run dry during the bleeding operation. Master cylinder may be damaged if operated without fluid, resulting in degraded braking performance. Failure to follow this instruction may result in serious personal injury.

NOTICE: Do not spill brake fluid on painted or plastic surfaces or damage to the surface may occur. If brake fluid is spilled onto a painted or plastic surface, immediately wash the surface with water.

NOTE: When any part of the hydraulic system is disconnected for repair or installation of new components, air can get into the system and cause spongy brake pedal action. This requires bleeding of the hydraulic system after it is correctly connected. The hydraulic system can be bled manually or with pressure bleeding equipment.

Vehicles Equipped with 4 or 6 Piston Calipers:

STEP 1: Remove the front brake caliper inner bleeder screw cap and place a box-end wrench on the bleeder screw. Attach a rubber drain hose to the bleeder screw and submerge the free end of the hose in a container partially filled with clean, specified brake fluid.



STEP 2: Have an assistant pump the brake pedal and then hold firm pressure on the brake pedal.

STEP 3: Loosen the front brake caliper inner bleeder screw until a stream of brake fluid comes out. While the assistant maintains pressure on the brake pedal, tighten the bleeder screw.

- Repeat until clear, bubble-free fluid comes out.
- Refill the brake master cylinder reservoir with clean, specified brake fluid as necessary.

Factory Ford shop manuals are available from Helm Publications, 1-800-782-4356

NO PART OF THIS DOCUMENT MAY BE REPRODUCED WITHOUT PRIOR AGREEMENT AND WRITTEN PERMISSION OF FORD RACING PERFORMANCE PARTS.

- STEP 4:** Tighten the front brake caliper inner bleeder screw to specifications. Refer to Specifications in this section. Remove the rubber hose and install the bleeder screw cap.
- STEP 5:** Repeat STEPS 1 through 4 for the front brake caliper outer bleeder screw.
- STEP 6:** Repeat STEPS 1 through 4 for the front brake caliper inner bleeder screw.

Manual Brake System Bleeding:

⚠ WARNING: Do not use any fluid other than clean brake fluid meeting manufacturer's specification. Additionally, do not use brake fluid that has been previously drained. Following these instructions will help prevent system contamination, brake component damage and the risk of serious personal injury.

⚠ WARNING: Carefully read cautionary information on product label. For emergency medical information seek medical advice. In the USA or Canada on Ford/Motorcraft products call: 1-800-959-3673. For additional information, consult the product Material Safety Data Sheet (MSDS) if available. Failure to follow these instructions may result in serious personal injury.

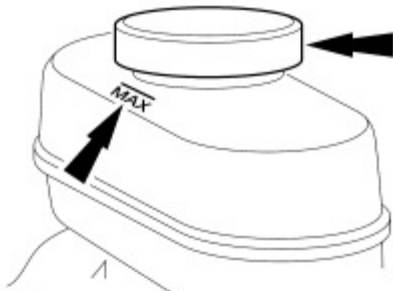
⚠ WARNING: Do not allow the brake master cylinder to run dry during the bleeding operation. Master cylinder may be damaged if operated without fluid, resulting in degraded braking performance. Failure to follow this instruction may result in serious personal injury.

NOTICE: Do not spill brake fluid on painted or plastic surfaces or damage to the surface may occur. If brake fluid is spilled onto a painted or plastic surface, immediately wash the surface with water.

All vehicles:

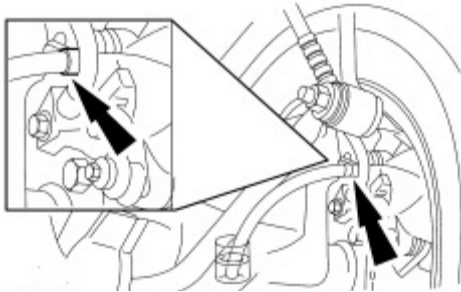
STEP 1: **NOTE:** *Pressure bleeding the brake system is preferred to manual bleeding.*

Clean all dirt from and remove the brake master cylinder filler cap and fill the brake master cylinder reservoir with clean, specified brake fluid.



STEP 2: Remove the RH rear brake caliper bleeder screw cap and place a box-end wrench on the bleeder screw. Attach a rubber drain hose to the bleeder screw and submerge the free end of the hose in a container partially filled with clean, specified brake fluid.

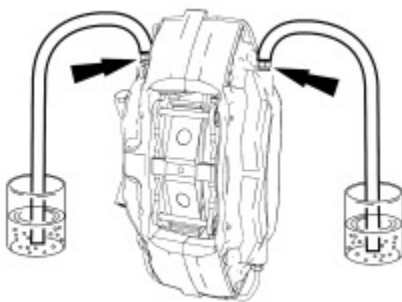
NO PART OF THIS DOCUMENT MAY BE REPRODUCED WITHOUT PRIOR AGREEMENT AND WRITTEN PERMISSION OF FORD RACING PERFORMANCE PARTS.



- STEP 3:** Have an assistant pump the brake pedal and then hold firm pressure on the brake pedal.
- STEP 4:** Loosen the RH rear brake caliper bleeder screw until a stream of brake fluid comes out. While the assistant maintains pressure on the brake pedal, tighten the bleeder screw.
- Repeat until clear, bubble-free fluid comes out.
 - Refill the brake master cylinder reservoir with clean, specified brake fluid as necessary.
- STEP 5:** Tighten the RH rear brake caliper bleeder screw to specifications. Refer to Specifications in this section. Remove the rubber hose and install the bleeder screw cap.
- STEP 6:** Repeat Steps 2 through 5 for the LH rear brake caliper bleeder screw.

Vehicles equipped with 4 or 6 piston calipers:

- STEP 7:** Remove the RH front brake caliper inner bleeder screw cap and place a box-end wrench on the bleeder screw. Attach a rubber drain hose to the bleeder screw and submerge the free end of the hose in a container partially filled with clean, specified brake fluid.



- STEP 8:** Have an assistant pump the brake pedal and then hold firm pressure on the brake pedal.
- STEP 9:** Loosen the RH front brake caliper inner bleeder screw until a stream of brake fluid comes out. While the assistant maintains pressure on the brake pedal, tighten the bleeder screw.
1. Repeat until clear, bubble-free fluid comes out.
 2. Refill the brake master cylinder reservoir with clean, specified brake fluid as necessary.

Factory Ford shop manuals are available from Helm Publications, 1-800-782-4356




M-2300-T 6-Piston Mustang Brake Kit INSTALLATION INSTRUCTIONS

NO PART OF THIS DOCUMENT MAY BE REPRODUCED WITHOUT PRIOR AGREEMENT AND WRITTEN PERMISSION OF FORD RACING PERFORMANCE PARTS.

- STEP 10:** Tighten the RH front brake caliper inner bleeder screw to specifications. Refer to Specifications in this section. Remove the rubber hose and install the bleeder screw cap.
- STEP 11:** Repeat Steps 7 through 10 for the RH front brake caliper outer bleeder screw.
- STEP 12:** Repeat Steps 7 through 10 for the RH front brake caliper inner bleeder screw.
- STEP 13:** Repeat Steps 7 through 10 for the LH front brake caliper outer bleeder screw.
- STEP 14:** Repeat Steps 7 through 10 for the LH front brake caliper inner bleeder screw.


Wheel Installation:

- STEP 1:**  **WARNING:** When a wheel is installed, always remove any corrosion, dirt or foreign material present on the mounting surface of the wheel and the mounting surface of the wheel hub, brake drum or brake disc. Make sure that any fasteners that attach the rotor to the hub are secured so they do not interfere with the mounting surfaces of the wheel. Failure to follow these instructions when installing wheels may result in the wheel nuts loosening and the wheel coming off while the vehicle is in motion, which could result in loss of control, leading to serious injury or death to vehicle occupant(s).

NOTICE: Make sure to apply a thin coat of anti-seize lubrication only to the interface between the wheel pilot bore and the hub pilot. Do not allow the anti-seize to make contact with the wheel-to-brake disc/drum mounting surface, wheel studs, wheel nuts, brake pads or brake disc friction surfaces or damage to components may occur.

Clean the wheel mounting surfaces and apply a thin coat of anti-seize to the wheel hub pilot surface (wheel only).

- STEP 2:** Install the wheel and tire assembly.

- STEP 3:**  **WARNING:** Retighten wheel nuts within 160 km (100 mi) after a wheel is reinstalled. Wheels can loosen after initial tightening. Failure to follow this instruction may result in serious injury to vehicle occupant(s).

NOTICE: Failure to tighten the wheel nuts in a star/cross pattern can result in high brake disc runout, which will speed up the development of brake roughness, shudder and vibration.

NOTE: *The wheel nut torque specification is for clean, dry wheel stud and wheel nut threads.*

Install the 5 wheel nuts by hand.

- Tighten the wheel nuts in a star/cross pattern to 135 Nm (100 lb-ft).

Factory Ford shop manuals are available from Helm Publications, 1-800-782-4356