

# BUZZ/RATTLE FROM DOOR PANEL WHEN OPERATING AUDIO SYSTEM—VEHICLES BUILT BEFORE 8/2/2007

TSB 07-17-6

**FORD:**  
2005-2008 Mustang

## ISSUE

Some 2005-2008 Mustang vehicles built before 8/2/2007 may experience a buzz/rattle from the door panels when using the radio/CD player at elevated volumes or bass levels or voice broadcasts. This may be due to the window switch bezel vibrating against the door trim panel. This can often be incorrectly diagnosed as an audio speaker buzz or a bad speaker.

## ACTION

Follow the Service Procedure steps to correct the condition by applying foam tape to the window switch bezel.

## SERVICE PROCEDURE

1. Remove window switch bezel from door panel and separate the two piece bezel.
2. Install three (3) pieces of PVC soft foam tape 3/8" wide by 1 3/4" long (10 mm by 45 mm) part number 164-R4901 from the Rotunda Squeak and Rattle Repair Kit part number 164-R4900. (Figures 1 and 2)

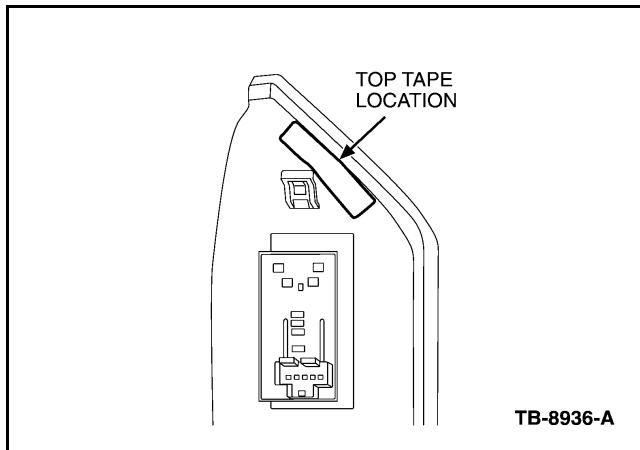


Figure 1 - Article 07-17-6

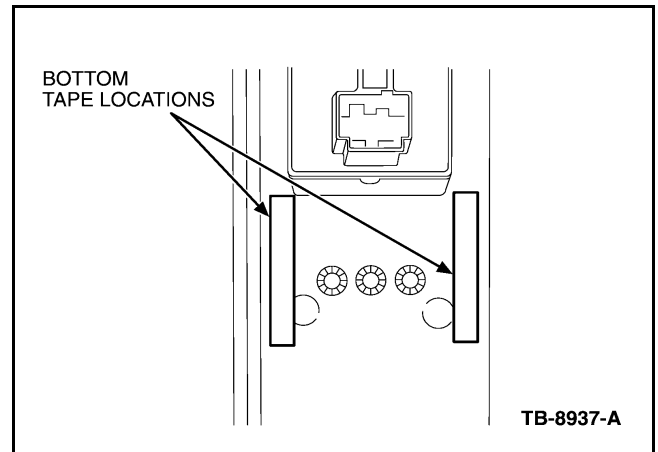


Figure 2 - Article 07-17-6

3. Reinstall window switch bezel and verify proper operation of the window switches.

**WARRANTY STATUS:** Eligible Under Provisions Of New Vehicle Limited Warranty Coverage  
**IMPORTANT:** Warranty coverage limits/policies are not altered by a TSB. Warranty coverage limits are determined by the identified causal part.

OPERATION	DESCRIPTION	TIME
071706A	2005-2008 Mustang Built Before 8/2/2007: Install Foam Tape, Includes Time To Remove And Install Bezel: One Door. (Do Not Use With 23943A)	0.3 Hr.

**NOTE:** The information in Technical Service Bulletins is intended for use by trained, professional technicians with the knowledge, tools, and equipment to do the job properly and safely. It informs these technicians of conditions that may occur on some vehicles, or provides information that could assist in proper vehicle service. The procedures should not be performed by "do-it-yourselfers". Do not assume that a condition described affects your car or truck. Contact a Ford, Lincoln, or Mercury dealership to determine whether the Bulletin applies to your vehicle. Warranty Policy and Extended Service Plan documentation determine Warranty and/or Extended Service Plan coverage unless stated otherwise in the TSB article. The information in this Technical Service Bulletin (TSB) was current at the time of printing. Ford Motor Company reserves the right to supersede this information with updates. The most recent information is available through Ford Motor Company's on-line technical resources.

## TSB 07-17-6 (Continued)

071706B      2005-2008 Mustang Built      0.4 Hr.  
Before 8/2/2007: Install  
Foam Tape, Includes Time  
To Remove And Install  
Bezel: Both Doors. (Do  
Not Use With 23943A)

### DEALER CODING

BASIC PART NO.  
14527

CONDITION  
CODE  
33